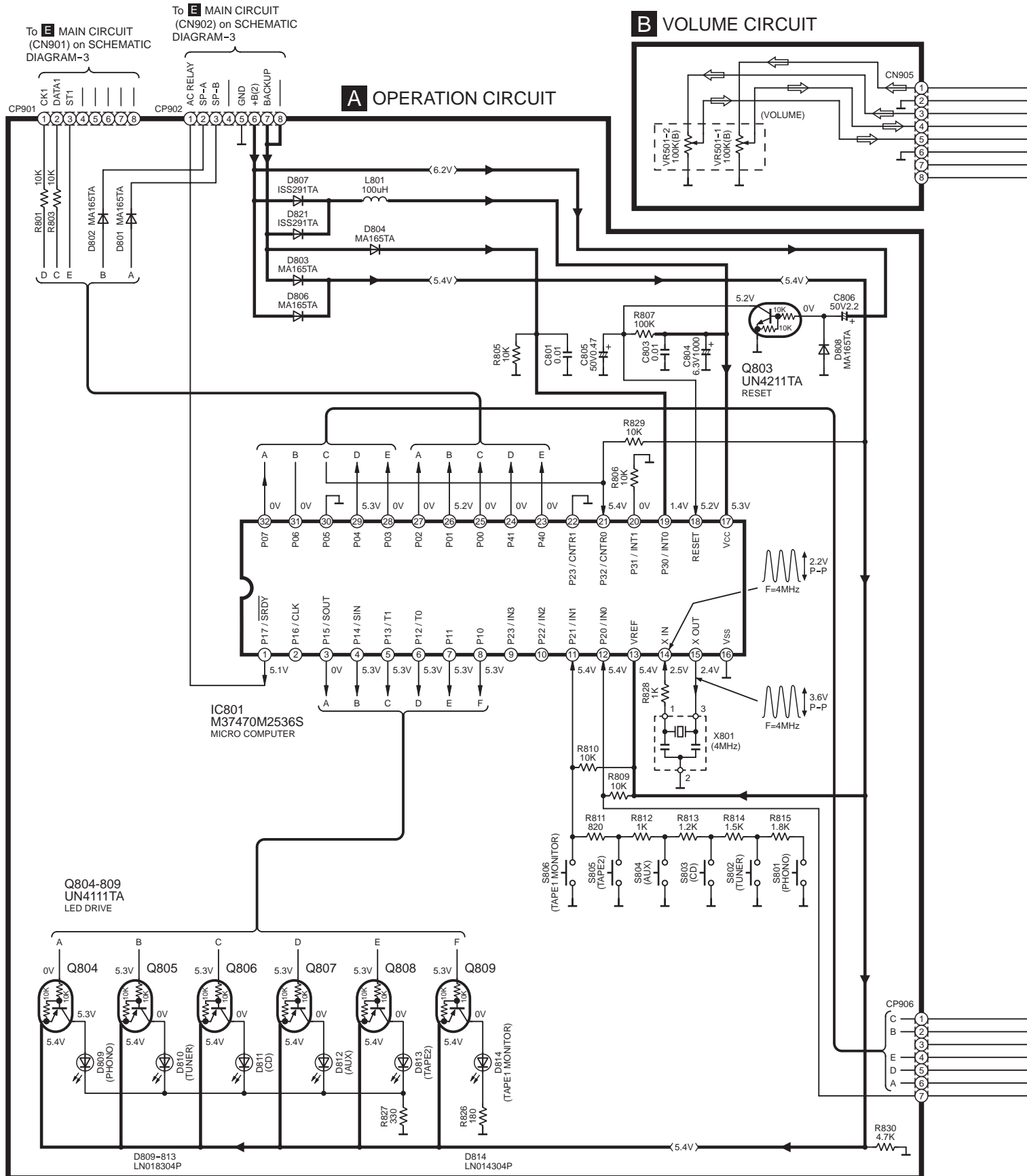


SCHEMATIC DIAGRAM-1

Note: The number which noted at the connectors on the schematic diagram as "SCHEMATIC DIAGRAM-1" or "SCHEMATIC DIAGRAM-2" indicates the schematic diagram serial number located on the left corner in the schematic diagram.

→ : POSITIVE VOLTAGE LINE ⇨ : PHONO SIGNAL LINE



SCHEMATIC DIAGRAM 2

To **E** MAIN CIRCUIT (CN903) on SCHEMATIC DIAGRAM-3

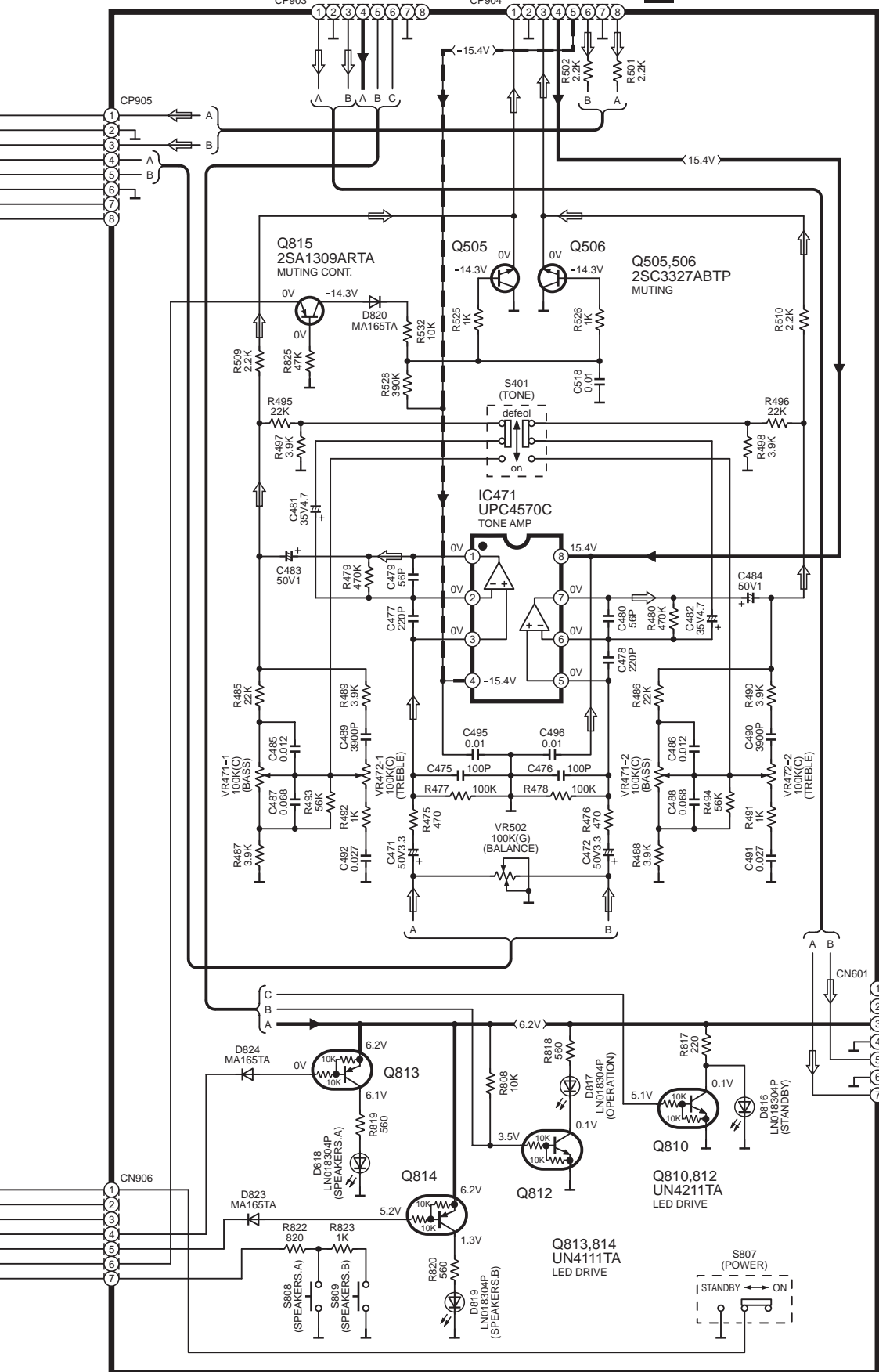
To **E** MAIN CIRCUIT (CN904) on SCHEMATIC DIAGRAM-3

—▶— : POSITIVE VOLTAGE LINE

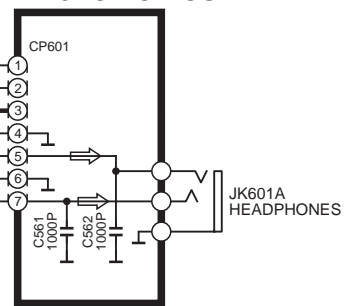
-▶- : NEGATIVE VOLTAGE LINE

⇨ : PHONO SIGNAL LINE

C TONE AMP CIRCUIT

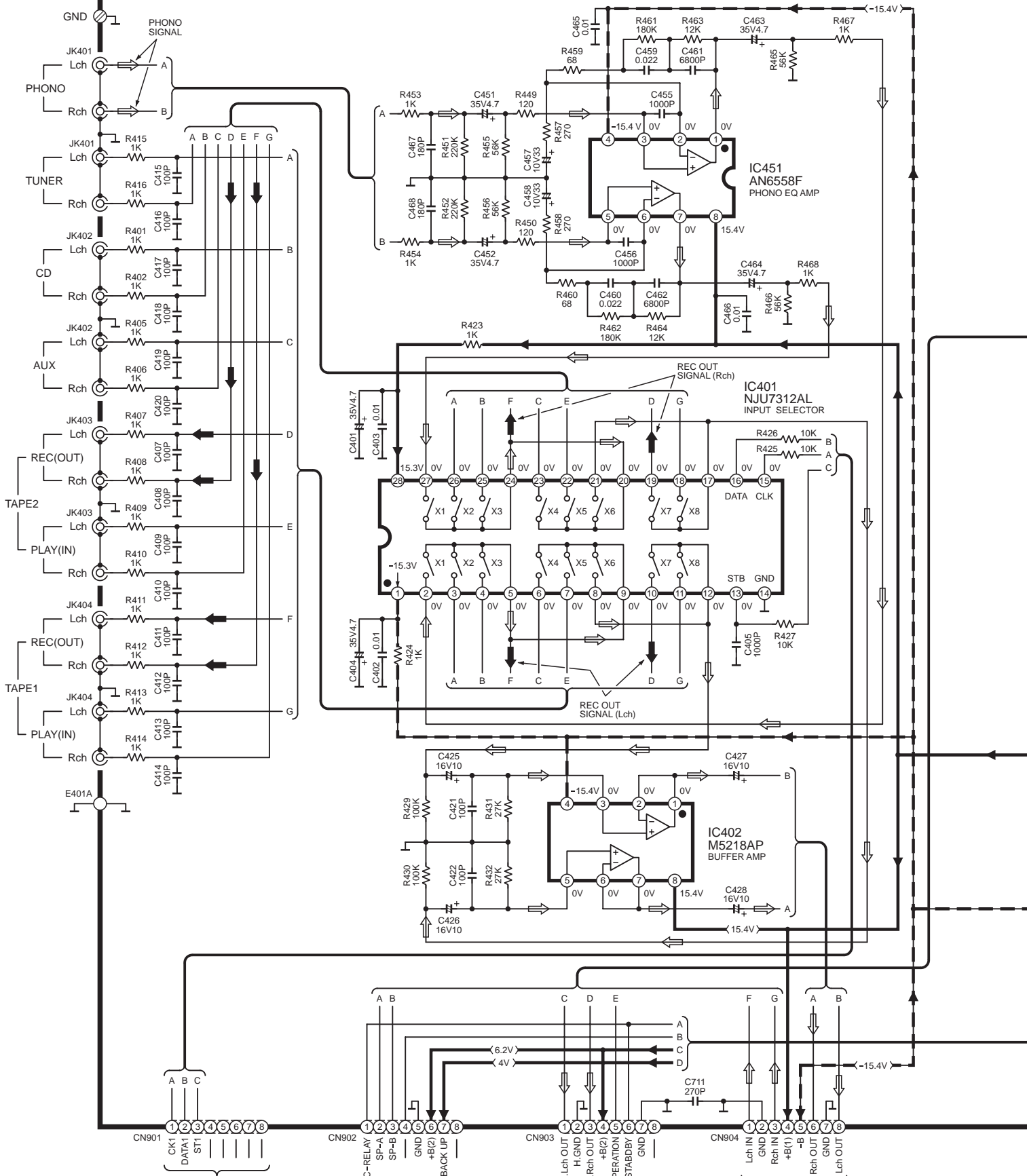


D HEADPHONES JACK CIRCUIT



E MAIN CIRCUIT

→ : POSITIVE VOLTAGE LINE
 → : PHONO SIGNAL LINE
 - - - : NEGATIVE VOLTAGE LINE
 → : REC OUT SIGNAL LINE

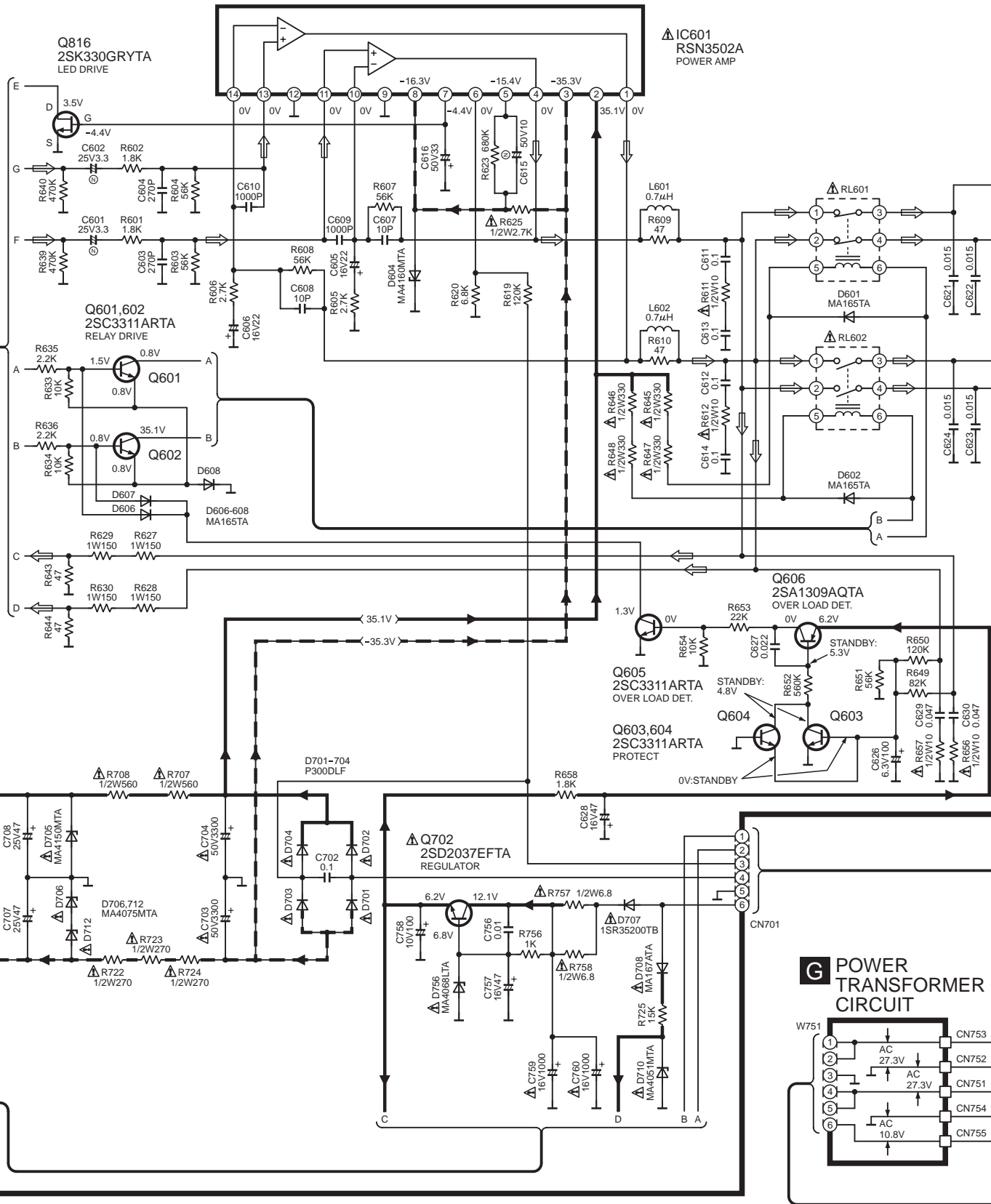


To **A** OPERATION CIRCUIT (CP901) on SCHEMATIC DIAGRAM-1

To **A** OPERATION CIRCUIT (CP902) on SCHEMATIC DIAGRAM-1

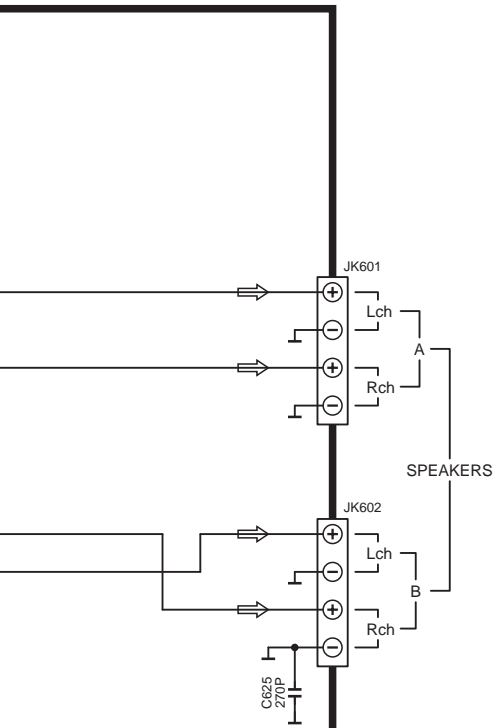
To **C** TONE AMP CIRCUIT (CP903) on SCHEMATIC DIAGRAM-2

To **C** TONE AMP CIRCUIT (CP904) on SCHEMATIC DIAGRAM-2



SCHEMATIC DIAGRAM-5

➔ : POSITIVE VOLTAGE LINE ⇨ : PHONO SIGNAL LINE



F POWER SUPPLY CIRCUIT

